

Boss 6NS by Power Chairs

Unique Midi-Drive Design

Rugged, Reliable, Comfortable

Smooth Stable Ride and Easy to Maneuver

**600 LB. WEIGHT CAPACITY
GROUP 2**

PaceSaver®

Boss 6NS
with Standard ComForBack
Seat and Gluteal Space
plus Options:
Privacy Flap & Split Footplates



PaceSaver®

Boss 6NS Power Chair

Boss 6NS
with Standard 24" x 21" ComForBack
Seat plus Custom sized footplate



BODY COLORS

OCEAN
BLUE

MIDNIGHT
BLACK

CANDY APPLE
RED

UPHOLSTERY

PLUSH VELVET
GREY

PLUSH VELVET
BLACK

SOFT VINYL
CHARCOAL



Boss 6NS
with Optional Reclining
Fullback Admiral Seat
and upholstered arms

6NS Features:

- **Powerful US Made Motors**- High-capacity 4-Pole high-torque motors for maximum efficiency and power; inline sealed gear drive for longer life.
- **Heavy-duty Steel Frame with Adjustable Footplate**- Rugged and reliable base with height & angle adjustable footplate.
- **Programmable Controller**- Advanced dual variable speed and proportional dual auxiliary motor control from the joystick.
- **4-Point Seat Mount System** - Stable 4-post seat mounts for lower adjustable seat heights and angles plus easy battery access.
- **Comfortable Orthopedic Seat** - Contoured ComForBack™ 24"x21" seat is standard; Available in special sizes plus Maxum™ or Minimizer features.
- **Custom Seating Options**- 50° Reclining Admiral seat with lumbar support in custom sizes is available.
- **Removable Arms** - Arms are adjustable for width, height, depth and angle.

- **Low Seat Pan Height (15" from floor)** - Easier chair egress for shorter Bariatric user.
- **Better Stability** - Unique 3/4 Midi drive has 8° stability to prevent tipping or rocking like center drives.
- **Designed for Aggressive User** - Larger batteries for longer range over many surfaces and hills.
- **Power Seat Option** - Available on Boss 4.5. Able to elevate up to 5".
- **Custom Options Available** - Many special features including options for excess posterior tissue (Gluteal Posterior Shelf), Pannus (stomach) support, amputee support, special footplates and rehab styles.
- **Fast Charge Anywhere** - Small, carry-along worldwide charger with battery-saver technology for longer battery life.
- **Mirror-Glaze Finish** - Long-lasting beauty, Color all thru body. Will not chip, peel or fade. Easy care-simply wipe with damp cloth.



**Minimizer™
Back Option**

Back modification that allows reduction to overall width without sacrificing width of seat cushion. (available only on ComForBack™)

Stanza™ Power Anti-Tips
Available for easy-accessible footrest & extra ramp stability



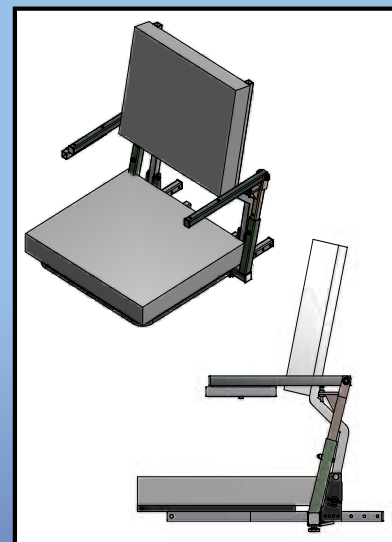
SPECIAL OPTIONS

- HD Elevating Leg Rests
- Swing-away/Detachable Leg Rests
- Head Rests
- Custom Footplates-raised,X-Lg
- Pannus/Amputee Support
- Center Mount Anti-Tips
- Stanza™ Power Anti-Tips
- Walker/Cane/Crutch holder
- O² Holder
- Swing-away Controller Mount
- Cup Holder

SPECIFICATIONS

600 LB. CAPACITY GRP 2 POWER CHAIRS		Boss 6NS	
Basic Dimensions	Overall Length (Footplate up)	44"	
	Overall Width (Back width + 5")	TBD (see note-left)	
	Wheel Base Length (Ctr. Drive Hub To Ctr. Back Casters)	23.5"	
	Wheel Base Width (Outside to Outside)	28.5"	
Performance (per RESNA test)	Frame Ground Clearance	3"	
	Turning Radius	27"	
	Max Speed	4.6 MPH	
	Range (varies w/ weight & driving conditions) (G24 Batteries)	20 mi.	
Weights	Capacity	600 lb.	
	Maximum Incline Rating	8 Deg.	
	Controller & 24" x 21" CFB (Standard Seat for Unit)	58.5 LB.	
	Motor/Suspension-Pneumatic Tires	NA	
Standard Admiral Seat Dimensions (3" compressed foam)	Motor/Suspension-Flat Free Filled Tires	146 lb.	
	G24 Batteries (58.5 lb each)	117 lb.	
	Footplate/Front Anti-Tip System	23 lb.	
	Total Avg. Weight w/ Batteries	344.5 lb.	
Tire Dimensions	Standard CFB Seat Depth	21"	
	Standard CFB Seat Width	24"	
	Seat Front Edge Height from Footrest	Low	16.75"
	Seat Front Edge Height from Floor	High	18.75"
Optional Features	Seat Pan Height from Floor	Low	19.5"
	Back Height from Seat	High	21.5"
	Headrest Height	Low	15"
		High	19"
Optional Features	Reclining Admiral Seat	Std	22.5"
	Rehab Seating w/Tilt	(Elevates to 7.5")	4.5"
	Power Seat		
	Power ELRs		
Optional Features	Power Stanza Anti-Tips		
	Custom Footplate - (Ctr. Col./Large size)		
	Swing-away Joystick		

**Custom Option:
Adjustable Rehab Seating**
Seating modification that allows multiple adjustments to seat depth and back angles (available only on ComForBack)



Leisure-Lift/PaceSaver
1800 Merriam Ln
Kansas City, KS 66106

800-255-0285
leisure-lift@leisure-lift.com
www.pacesaver.com

PaceSaver®

Leisure-Lift/PaceSaver
1800 Merriam Ln
Kansas City, KS 66106

Celebrating over 30 Years
of
Legendary Performance!

800-255-0285
leisure-lift@leisure-lift.com
www.pacesaver.com